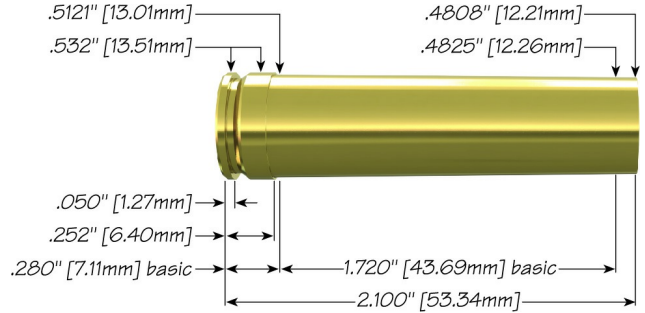



450 Marlin with 300 gr JHP



Max Case Length:	2.100"
Trim-to Length:	2.090"
Max Cart. OAL:	2.550"
RCBS Shell Holder:	# 4
Test Firearm:	Universal Receiver
Barrel Length:	24"



45	Speer Part No.	Weight, grains	COAL Tested	Ballistic Coefficient	Sectional Density	
	300 gr JHP	2482	300	2.525	.206	.204

Propellant	Cartridge Case	Primer	START CHARGE		MAXIMUM CHARGE	
			Grain	Velocity (ft/sec)	Grain	Velocity (ft/sec)
Alliant Power Pro 1200-R	Hornady	CCI 200	59.8	2402	63.5 C	2547