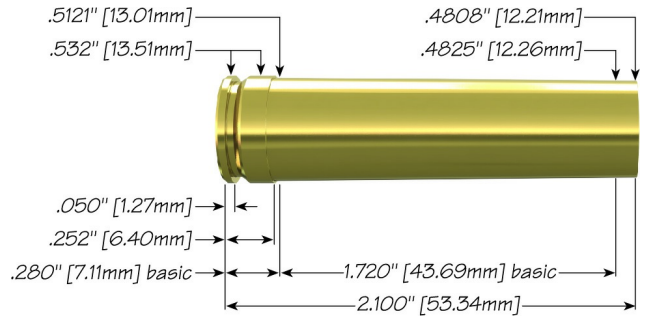



450 Marlin with 400 gr SPFN



Max Case Length:	2.100"
Trim-to Length:	2.090"
Max Cart. OAL:	2.550"
RCBS Shell Holder:	# 4
Test Firearm:	Universal Receiver
Barrel Length:	24"



45	Speer Part No.	Weight, grains	COAL Tested	Ballistic Coefficient	Sectional Density	
	400 gr SPFN	2479	400	2.525	.259	.272

Propellant	Cartridge Case	Primer	START CHARGE		MAXIMUM CHARGE	
			Grain	Velocity (ft/sec)	Grain	Velocity (ft/sec)
Alliant AR-Comp	Hornady	CCI 200	52.0	1977	56.0 C	2133
Alliant Power Pro 1200-R	Hornady	CCI 200	50.0	1990	53.6	2130
Alliant Power Pro Varmint	Hornady	CCI 200	56.0	1947	59.0 C	2057
Hodgdon Benchmark	Hornady	CCI 200	52.0	1949	56.0 C	2106