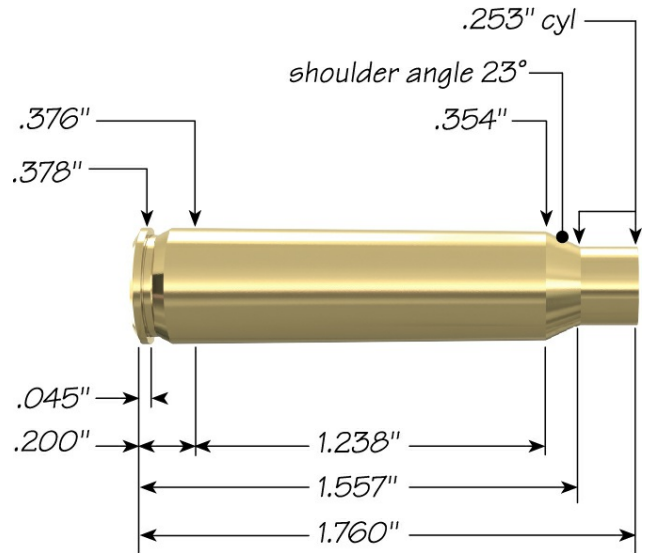



# 5.56x45mm NATO with 62 gr Gold-Dot®



<b>Max Case Length:</b>	1.760"
<b>Trim-to Length:</b>	1.750"
<b>Max Cart. OAL:</b>	2.250"
<b>RCBS Shell Holder:</b>	# 10
<b>Test Firearm:</b>	Universal Receiver
<b>Barrel Length:</b>	24"



22	Speer Part No.	Weight, grains	COAL Tested	Ballistic Coefficient	Sectional Density	
	<b>62 gr Gold-Dot®</b>	22462GDB	62	2.260"	.310	.177

Propellant	Cartridge Case	Primer	START CHARGE		MAXIMUM CHARGE	
			Grain	Velocity (ft/sec)	Grain	Velocity (ft/sec)
Accurate 2460	Federal	CCI No 41	23.6	2780	<b>26.2</b>	3026
Alliant AR-Comp	Federal	CCI No 41	22.3	2752	<b>24.8</b>	3013
Alliant Power Pro 2000-MR	Federal	CCI No 41	27.2	2929	<b>30.2 C</b>	3180
Alliant Power Pro Varmint	Federal	CCI No 41	23.5	2784	<b>26.1</b>	3053
Alliant Reloder 15	Federal	CCI No 41	23.9	2719	<b>26.6 C</b>	3019
Hodgdon CFE 223	Federal	CCI No 41	25.1	2848	<b>27.8</b>	3088
Hodgdon H335	Federal	CCI No 41	22.5	2731	<b>25.0</b>	2974
Hodgdon Varget	Federal	CCI No 41	23.9	2785	<b>26.6 C</b>	3029

IMR 4895	Federal	CCI No 41	23.3	2683	<b>25.9 C</b>	2985
IMR 8208 XBR	Federal	CCI No 41	22.9	2814	<b>25.4</b>	3024
Ramshot X-Terminator	Federal	CCI No 41	22.8	2780	<b>25.3</b>	3033
Vihtavuori N540	Federal	CCI No 41	23.9	2657	<b>26.6</b>	2971

C = Compressed Load

[speer-ammo.com](http://speer-ammo.com)