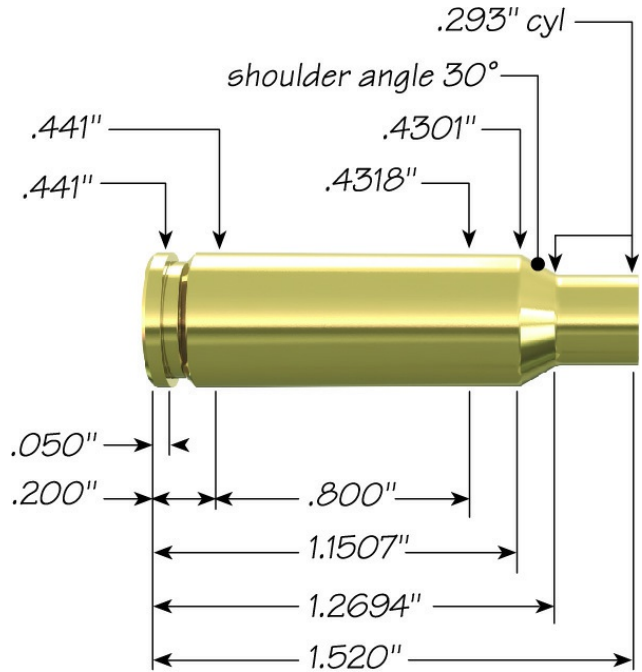


# 6.5 Grendel with 140 gr Spitzer SP Hot-Cor®



<b>Max Case Length:</b>	1.520"
<b>Trim-to Length:</b>	1.510"
<b>Max Cart. OAL:</b>	2.260"
<b>RCBS Shell Holder:</b>	# 6
<b>Test Firearm:</b>	Universal Receiver
<b>Barrel Length:</b>	24"



6.5mm	Speer Part No.	Weight, grains	COAL Tested	Ballistic Coefficient	Sectional Density
-------	----------------	----------------	-------------	-----------------------	-------------------



**140 gr Spitzer SP Hot-Cor®**

1441	140	2.140"	.498	.287
------	-----	--------	------	------

Propellant	Cartridge Case	Primer	START CHARGE		MAXIMUM CHARGE	
			Grain	Velocity (ft/sec)	Grain	Velocity (ft/sec)
Accurate 4064	Federal	Federal 205	23.6	1943	<b>24.5 C</b>	2038
Alliant AR-Comp	Federal	Federal 205	22.2	2025	<b>24.4 C</b>	2186
Alliant Power Pro Varmint	Federal	Federal 205	24.9 C	2094	<b>27.7 C</b>	2323
Hodgdon CFE 223	Federal	Federal 205	25.4	2090	<b>28.2 C</b>	2315
IMR 8208 XBR	Federal	Federal 205	22.9	2018	<b>25.4 C</b>	2230
Ramshot TAC	Federal	Federal 205	23.9	2063	<b>26.5</b>	2250
Vihtavuori N135	Federal	Federal 205	21.5 C	1965	<b>23.9 C</b>	2128

Winchester 748

Federal

Federal 205 25.7 C 2089

**28.6 C** 2338

C = Compressed Load

[speer-ammo.com](http://speer-ammo.com)