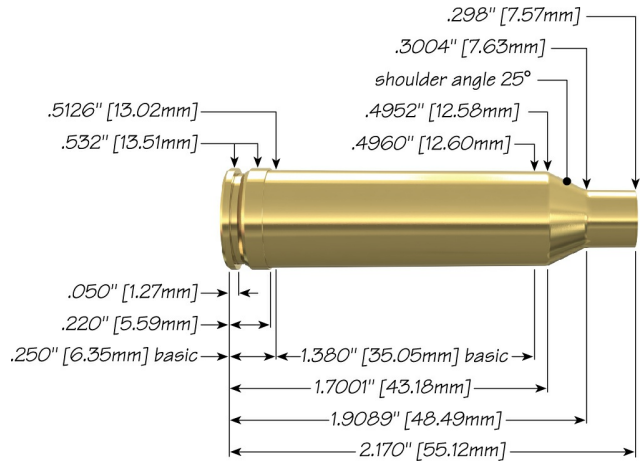


6.5 Remington Magnum with 140 gr Spitzer SP Hot- Cor®



Max Case Length:	2.170"
Trim-to Length:	2.160"
Max Cart. OAL:	2.800"
RCBS Shell Holder:	# 4
Test Firearm:	Universal Receiver
Barrel Length:	24"



6.5mm	Speer Part No.	Weight, grains	COAL Tested	Ballistic Coefficient	Sectional Density
-------	----------------	----------------	-------------	-----------------------	-------------------



**140 gr Spitzer SP
Hot-Cor®**

1441	140	2.790"	.498	.287
------	-----	--------	------	------

Propellant	Cartridge Case	Primer	START CHARGE		MAXIMUM CHARGE	
			Grain	Velocity (ft/sec)	Grain	Velocity (ft/sec)
Accurate 3100	Remington	CCI 250	48.0	2587	52.0 C	2765
Hodgdon H380	Remington	CCI 250	42.0	2396	46.0	2634
Hodgdon H414	Remington	CCI 250	43.0	2373	47.0	2628
IMR 4198 (Reduced Load)	Remington	CCI 250	20.5	1617	22.5	1792
IMR 4320	Remington	CCI 250	39.0	2324	43.0	2580
IMR 4350	Remington	CCI 250	46.0	2543	50.0 C	2750
IMR 4831	Remington	CCI 250	48.0	2547	52.0 C	2755
IMR 4895	Remington	CCI 250	41.0	2321	45.0	2562

C = Compressed Load

speer-ammo.com