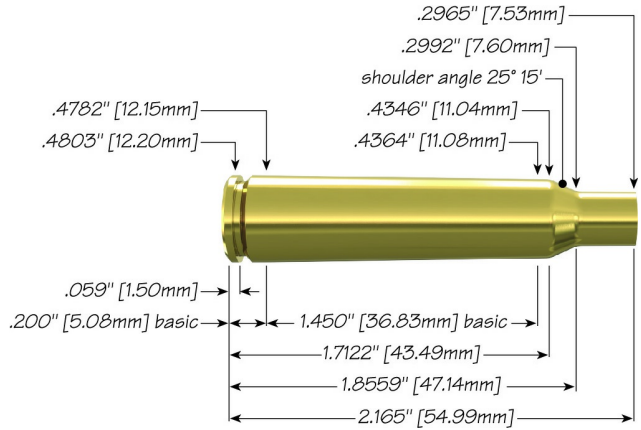



# 6.5x55 Swedish (Strong Commercial Actions) with 140 gr Spitzer SP Hot-Cor®



<b>Max Case Length:</b>	2.165"
<b>Trim-to Length:</b>	2.155"
<b>Max Cart. OAL:</b>	3.150"
<b>RCBS Shell Holder:</b>	# 2
<b>Test Firearm:</b>	Universal Receiver
<b>Barrel Length:</b>	24"



6.5mm	Speer Part No.	Weight, grains	COAL Tested	Ballistic Coefficient	Sectional Density
	<b>140 gr Spitzer SP Hot-Cor®</b> 1441	140	3.000"	.498	.287

Propellant	Cartridge Case	Primer	START CHARGE		MAXIMUM CHARGE	
			Grain	Velocity (ft/sec)	Grain	Velocity (ft/sec)
Alliant Power Pro 4000-MR	Federal	Federal 210	36.6	2368	<b>43.2</b>	2664
Alliant Reloder 16	Federal	Federal 210	34.0	2330	<b>38.4</b>	2528
Alliant Reloder 17	Federal	Federal 210	35.0	2309	<b>42.0</b>	2666
Alliant Reloder 19	Remington	CCI 200	43.0	2529	<b>45.0</b>	2616
Alliant Reloder 22	Remington	CCI 200	43.0	2579	<b>45.0</b>	2655
Alliant Reloder 23	Federal	Federal 210	35.6	2293	<b>44.2</b>	2658
Alliant Reloder 26	Federal	Federal 210	37.7	2371	<b>46.4</b>	2744
Hodgdon H4350	Remington	CCI 200	38.0	2444	<b>40.0</b>	2531
Hodgdon H4831SC	Remington	CCI 200	41.0	2464	<b>43.0</b>	2558

Hodgdon Varget	Remington	CCI200	35.0	2390	<b>37.0</b>	2498
IMR 4064	Remington	CCI200	34.0	2351	<b>36.0</b>	2462
IMR 4350	Remington	CCI200	39.0	2462	<b>41.0</b>	2545
IMR 4831	Remington	CCI200	39.0	2467	<b>41.0</b>	2551

[speer-ammo.com](http://speer-ammo.com)