

# 6.8mm Remington SPC with 90 gr Gold-Dot®



**Max Case Length:** 1.686"

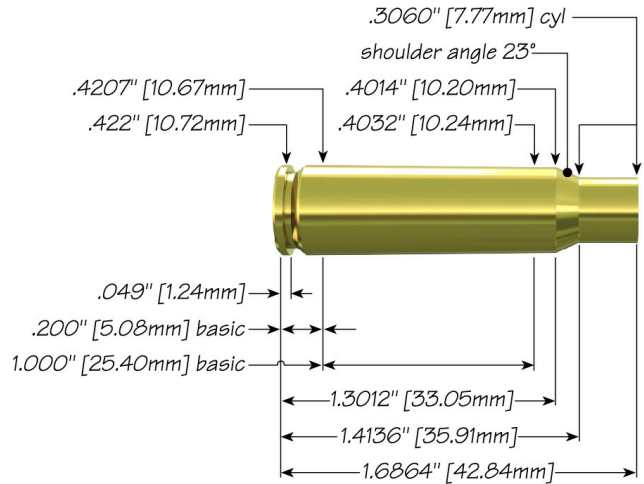
**Trim-to Length:** 1.676"


**Max Cart. OAL:** 2.260"

**RCBS Shell Holder:** # 19

**Test Firearm:** Universal Receiver

**Barrel Length:** 24"



27	Speer Part No.	Weight, grains	COAL Tested	Ballistic Coefficient	Sectional Density
	<b>90 gr Gold-Dot®</b>	27790GDB 90	2.260"	.253	.168

Propellant	Cartridge Case	Primer	START CHARGE		MAXIMUM CHARGE	
			Grain	Velocity (ft/sec)	Grain	Velocity (ft/sec)
Accurate 2200	Federal	Federal GM205MAR	27.3	2786	<b>30.3</b>	3053
Accurate 2230	Federal	Federal GM205MAR	29.7	2822	<b>32.6</b>	3023
Alliant Power Pro 1200-R	Federal	Federal GM205MAR	27.3	2766	<b>30.3</b>	3025
Alliant Reloder 10X	Federal	Federal GM205MAR	26.4	2688	<b>29.3</b>	2976
Alliant Reloder 7	Federal	Federal GM205MAR	25.1	2649	<b>27.9</b>	2890
Hodgdon Benchmark	Federal	Federal GM205MAR	28.4	2685	<b>31.6</b>	2972
Hodgdon CFE 223	Federal	Federal GM205MAR	33.5	2873	<b>37.2 C</b>	3144
Hodgdon H335	Federal	Federal GM205MAR	29.5	2759	<b>32.8</b>	3010
Ramshot X-Terminator	Federal	Federal GM205MAR	29.3	2770	<b>32.6 C</b>	2973

Vihtavuori N120

Federal

Federal GM205MAR 22.2 2608

**24.7** 2834

C = Compressed Load

[speer-ammo.com](http://speer-ammo.com)