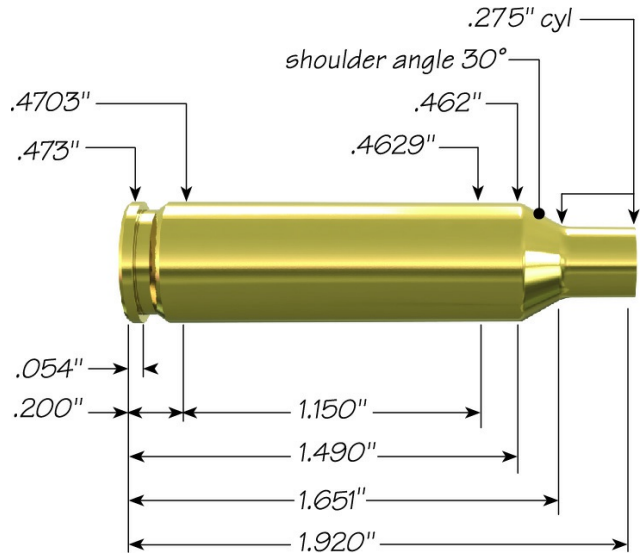



6mm Creedmoor with 6mm Spitzer BTSP



Max Case Length:	1.920"
Trim-to Length:	1.910"
Max Cart. OAL:	2.800"
RCBS Shell Holder:	# 3
Test Firearm:	Universal Receiver
Barrel Length:	24"



6mm	Speer Part No.	Weight, grains	COAL Tested	Ballistic Coefficient	Sectional Density
	6mm Spitzer BTSP 1220	100	2.700"	.446	.242

Propellant	Cartridge Case	Primer	START CHARGE		MAXIMUM CHARGE	
			Grain	Velocity (ft/sec)	Grain	Velocity (ft/sec)
Accurate 4350	Hornady	CCI 200	38.2	2913	42.1	3106
Alliant Power Pro 4000-MR	Hornady	CCI 200	40.8	2911	45.3	3214
Alliant Reloder 16	Hornady	CCI 200	39.1	2942	43.4	3185
Alliant Reloder 17	Hornady	CCI 200	38.2	2899	42.4	3185
Alliant Reloder 19	Hornady	CCI 200	41.9	2938	46.6	3200
Alliant Reloder 22	Hornady	CCI 200	41.0	2957	45.6	3207
Alliant Reloder 23	Hornady	CCI 200	42.7	2923	47.4 C	3212
Alliant Reloder 26	Hornady	CCI 200	43.7	2946	48.6 C	3286

Hodgdon H4350	Hornady	CCI200	38.1	2880	42.3	3119
IMR 4831	Hornady	CCI200	39.7	2806	44.1	3082
IMR 7828	Hornady	CCI200	42.4	2883	47.1 C	3199
IMR 7977	Hornady	CCI200	44.2	2783	49.1 C	3101

C = Compressed Load

speer-ammo.com