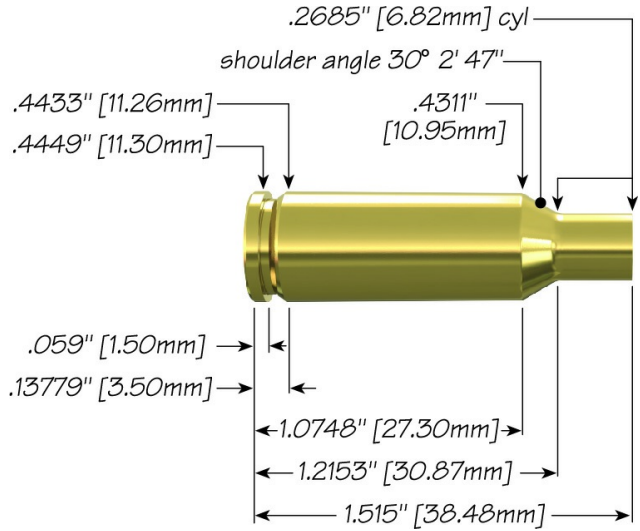



# 6mm PPC with 75 gr HP



<b>Max Case Length:</b>	1.515"
<b>Trim-to Length:</b>	1.505"
<b>Max Cart. OAL:</b>	2.193"
<b>RCBS Shell Holder:</b>	# 32
<b>Test Firearm:</b>	Universal Receiver
<b>Barrel Length:</b>	24"



6mm	Speer Part No.	Weight, grains	COAL Tested	Ballistic Coefficient	Sectional Density
 <b>75 gr HP</b>	1205	75	2.115"	.192	.181

Propellant	Cartridge Case	Primer	START CHARGE		MAXIMUM CHARGE	
			Grain	Velocity (ft/sec)	Grain	Velocity (ft/sec)
Alliant Reloder 7	Sako	CCIBR-4	23.0	2791	<b>25.0</b>	3011
Hodgdon BL-C(2)	Sako	CCIBR-4	27.0	2931	<b>29.0 C</b>	3169
Hodgdon H322	Sako	CCIBR-4	26.5	2910	<b>28.5 C</b>	3127
Hodgdon H335	Sako	CCIBR-4	26.0	2790	<b>30.0 C</b>	3257
IMR 4198	Sako	CCIBR-4	24.0	2620	<b>26.0</b>	2910
IMR 4895	Sako	CCIBR-4	24.0	2508	<b>26.0 C</b>	2705
Winchester 748	Sako	CCIBR-4	27.0	2634	<b>29.0 C</b>	2904

C = Compressed Load

