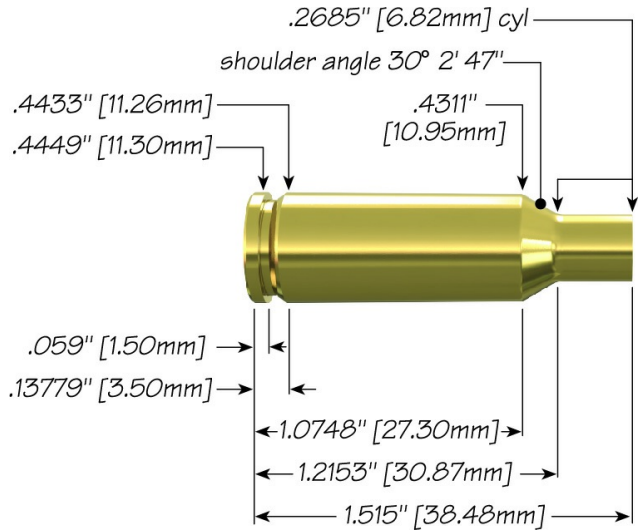



6mm PPC with 85 gr Spitzer BTSP



Max Case Length:	1.515"
Trim-to Length:	1.505"
Max Cart. OAL:	2.193"
RCBS Shell Holder:	# 32
Test Firearm:	Universal Receiver
Barrel Length:	24"



6mm	Speer Part No.	Weight, grains	COAL Tested	Ballistic Coefficient	Sectional Density
	85 gr Spitzer BTSP 1213	85	2.115"	.380	.206

Propellant	Cartridge Case	Primer	START CHARGE		MAXIMUM CHARGE	
			Grain	Velocity (ft/sec)	Grain	Velocity (ft/sec)
Alliant Reloder 7	Sako	CCIBR-4	22.0	2633	24.0	2863
Hodgdon BL-C(2)	Sako	CCIBR-4	26.5	2858	28.5 C	3098
Hodgdon H322	Sako	CCIBR-4	26.0	2878	28.0 C	3083
Hodgdon H335	Sako	CCIBR-4	25.5	2703	29.5 C	3156
IMR 4198	Sako	CCIBR-4	23.5	2838	25.5 C	3068
IMR 4320	Sako	CCIBR-4	25.0	2623	27.0 C	2815
Winchester 748	Sako	CCIBR-4	27.0	2625	29.0 C	2838

C = Compressed Load

