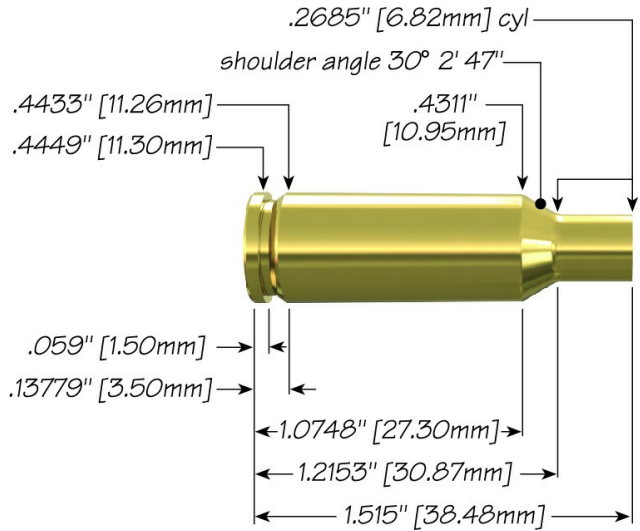



6mm PPC with 90 gr Spitzer SP Hot-Cor®



Max Case Length:	1.515"
Trim-to Length:	1.505"
Max Cart. OAL:	2.193"
RCBS Shell Holder:	# 32
Test Firearm:	Universal Receiver
Barrel Length:	24"



6mm	Speer Part No.	Weight, grains	COAL Tested	Ballistic Coefficient	Sectional Density
 90 gr Spitzer SP Hot-Cor®	1217	90	2.115"	.365	.218

Propellant	Cartridge Case	Primer	START CHARGE		MAXIMUM CHARGE	
			Grain	Velocity (ft/sec)	Grain	Velocity (ft/sec)
Hodgdon BL-C(2)	Sako	CCIBR-4	26.0	2714	28.0 C	2945
Hodgdon H322	Sako	CCIBR-4	25.5	2718	27.5 C	2958
Hodgdon H335	Sako	CCIBR-4	25.0	2601	29.0 C	3031
IMR 4064	Sako	CCIBR-4	23.5	2308	25.5 C	2510
IMR 4198	Sako	CCIBR-4	23.0	2699	25.0 C	2916
IMR 4320	Sako	CCIBR-4	24.5	2463	26.5 C	2678
IMR 4895	Sako	CCIBR-4	23.5	2412	25.5 C	2603
Winchester 748	Sako	CCIBR-4	26.5	2505	28.5 C	2712

C = Compressed Load

speers-ammo.com