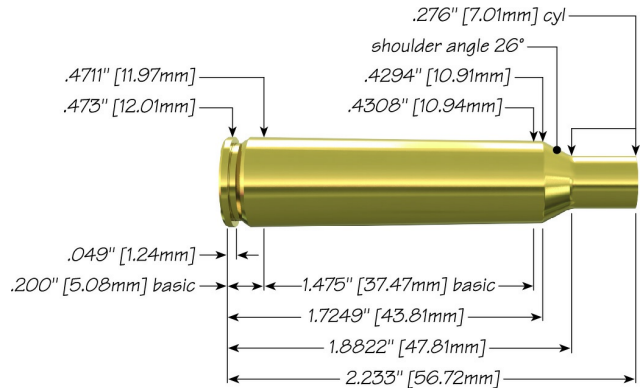



# 6mm Remington with 100 gr Spitzer BTSP



**Max Case Length:** 2.233"  
**Trim-to Length:** 2.223"  
**Max Cart. OAL:** 2.825"  
**RCBS Shell Holder:** # 3  
**Test Firearm:** Universal Receiver  
**Barrel Length:** 24"



6mm	Speer Part No.	Weight, grains	COAL Tested	Ballistic Coefficient	Sectional Density
 <b>100 gr Spitzer BTSP</b>	1220	100	2.800"	.446	.242

Propellant	Cartridge Case	Primer	START CHARGE		MAXIMUM CHARGE	
			Grain	Velocity (ft/sec)	Grain	Velocity (ft/sec)
Accurate 2700	Remington	CCI 250	36.0	2466	<b>40.0</b>	2710
Accurate 3100	Remington	CCI 200	43.0	2716	<b>47.0</b>	2952
Accurate 4350	Remington	CCI 200	41.5	2622	<b>45.5</b>	2979
Alliant Power Pro 4000-MR	Federal	Federal 210	40.1	2843	<b>44.5</b>	3145
Alliant Reloder 16	Federal	Federal 210	39.1	2843	<b>43.4</b>	3140
Alliant Reloder 17	Federal	Federal 210	38.8	2837	<b>43.1</b>	3132
Alliant Reloder 19	Remington	CCI 200	41.0	2608	<b>45.0</b>	2835
Alliant Reloder 22	Remington	CCI 200	43.0	2763	<b>47.0</b>	2971
Alliant Reloder 26	Federal	Federal 210	43.7	2876	<b>48.5 C</b>	3222

Hodgdon H380	Remington	CCI 250	35.0	2381	<b>39.0</b>	2616
Hodgdon H414	Remington	CCI 250	36.0	2353	<b>40.0</b>	2614
Hodgdon H4350	Remington	CCI 200	40.0	2570	<b>44.0</b>	2888
IMR 4064	Remington	CCI 200	33.0	2478	<b>37.0</b>	2694
IMR 4198 (Reduced Load)	Remington	CCI 200	18.0	1725	<b>20.0</b>	1924
IMR 4350	Remington	CCI 200	39.0	2533	<b>43.0</b>	2846
IMR 4831	Remington	CCI 200	41.0	2831	<b>45.0</b>	3145
IMR 7828	Remington	CCI 250	46.0	2814	<b>50.0</b>	3059
IMR 7977	Federal	Federal 210	45.2	2744	<b>48.1 C</b>	2932
Winchester 760	Remington	CCI 250	37.0	2506	<b>41.0</b>	2754

C = Compressed Load