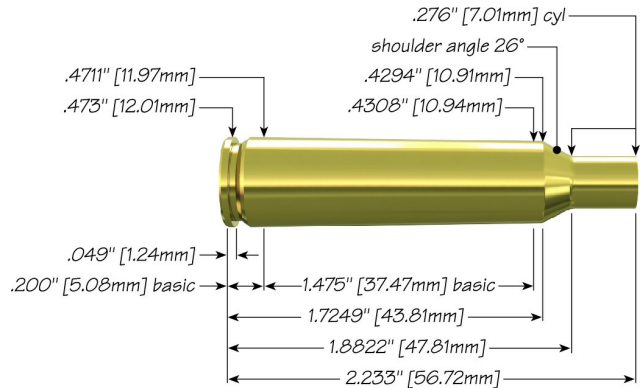


6mm Remington with 70 gr TNT® HP



Max Case Length: 2.233"
Trim-to Length: 2.223"
Max Cart. OAL: 2.825"
RCBS Shell Holder: # 3
Test Firearm: Universal Receiver
Barrel Length: 24"



6mm	Speer Part No.	Weight, grains	COAL Tested	Ballistic Coefficient	Sectional Density
-----	----------------	----------------	-------------	-----------------------	-------------------



70 gr TNT® HP

1206

70

2.775"

.279

.169

Propellant	Cartridge Case	Primer	START CHARGE		MAXIMUM CHARGE	
			Grain	Velocity (ft/sec)	Grain	Velocity (ft/sec)
Accurate 4350	Remington	CCI 200	48.0	3106	52.0 C	3531
Alliant Power Pro 4000-MR	Federal	Federal 210	45.1	3269	49.0 C	3522
Alliant Reloder 16	Federal	Federal 210	44.0	3313	47.0 C	3525
Alliant Reloder 17	Federal	Federal 210	43.7	3236	48.6 C	3636
Alliant Reloder 19	Remington	CCI 200	49.0	3262	53.0 C	3507
Alliant Reloder 22	Remington	CCI 200	50.0	3287	54.0 C	3497
Hodgdon H380	Remington	CCI 250	42.0	3132	47.0	3442
Hodgdon H414	Remington	CCI 250	44.0	3100	48.0	3370
Hodgdon H4350	Remington	CCI 200	47.0	3198	51.0 C	3593

Hodgdon H4831	Remington	CCI 250	48.0	3104	52.0 C	3302
IMR 4064	Remington	CCI 200	40.0	3119	44.0	3427
IMR 4350	Remington	CCI 200	45.0	3040	49.0	3416
IMR 4451	Federal	Federal 210	43.4	3172	48.2 C	3516
IMR 4831	Remington	CCI 200	48.0	3171	52.0 C	3485
IMR 4895	Remington	CCI 200	38.0	3111	42.0	3381
Vihtavuori N140	Remington	CCI 200	39.0	3023	43.0	3322
Winchester 760	Remington	CCI 250	44.0	3078	48.0	3420

C = Compressed Load

speer-ammo.com