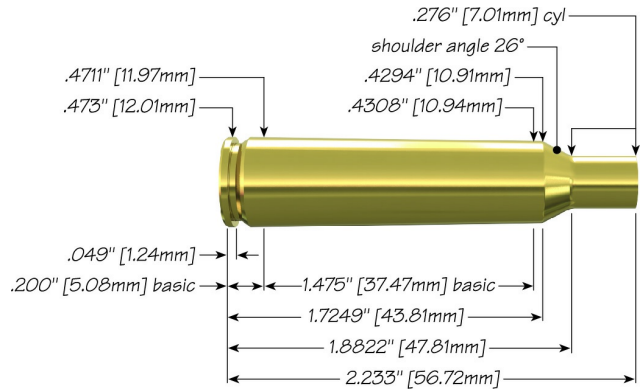



6mm Remington with 75 gr HP



Max Case Length:	2.233"
Trim-to Length:	2.223"
Max Cart. OAL:	2.825"
RCBS Shell Holder:	# 3
Test Firearm:	Universal Receiver
Barrel Length:	24"



6mm	Speer Part No.	Weight, grains	COAL Tested	Ballistic Coefficient	Sectional Density
 75 gr HP	1205	75	2.775"	.192	.181

Propellant	Cartridge Case	Primer	START CHARGE		MAXIMUM CHARGE	
			Grain	Velocity (ft/sec)	Grain	Velocity (ft/sec)
Accurate 2700	Remington	CCI 250	43.0	3147	47.0	3458
Accurate 4350	Remington	CCI 200	47.0	3083	51.0 C	3495
Alliant Power Pro 4000-MR	Federal	Federal 210	44.8	3184	49.8 C	3520
Alliant Reloder 16	Federal	Federal 210	42.7	3179	47.2 C	3494
Alliant Reloder 17	Federal	Federal 210	43.3	3205	48.1	3525
Alliant Reloder 19	Remington	CCI 200	48.0	3165	52.0 C	3440
Alliant Reloder 22	Remington	CCI 200	49.0	3262	53.0 C	3474
Hodgdon H380	Remington	CCI 250	42.0	3012	46.0	3310
Hodgdon H414	Remington	CCI 250	42.0	2959	46.0	3216

Hodgdon H4350	Remington	CCI 200	46.0	3157	50.0 C	3515
Hodgdon H4831	Remington	CCI 250	47.0	3045	51.0 C	3310
IMR 4064	Remington	CCI 200	38.5	3010	42.5	3272
IMR 4350	Remington	CCI 200	44.0	3064	48.0 C	3367
IMR 4451	Federal	Federal 210	42.7	3172	47.4 C	3446
IMR 4831	Remington	CCI 200	45.0	3001	49.0 C	3298
IMR 4895	Remington	CCI 200	37.0	2969	41.0	3248
Vihtavuori N140	Remington	CCI 200	39.0	2999	43.0	3293
Winchester 760	Remington	CCI 250	43.0	3018	47.0	3318

C = Compressed Load

speer-ammo.com