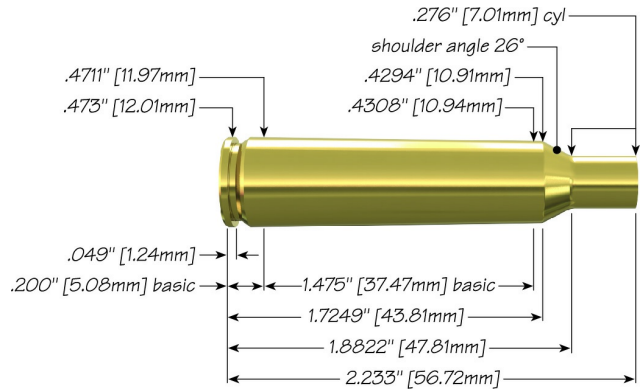



6mm Remington with 85 gr Spitzer BTSP



Max Case Length: 2.233"
Trim-to Length: 2.223"
Max Cart. OAL: 2.825"
RCBS Shell Holder: # 3
Test Firearm: Universal Receiver
Barrel Length: 24"



6mm	Speer Part No.	Weight, grains	COAL Tested	Ballistic Coefficient	Sectional Density
	85 gr Spitzer BTSP 1213	85	2.775"	.380	.206

Propellant	Cartridge Case	Primer	START CHARGE		MAXIMUM CHARGE	
			Grain	Velocity (ft/sec)	Grain	Velocity (ft/sec)
Accurate 2520	Remington	CCI 250	36.0	2786	40.0	3061
Accurate 2700	Remington	CCI 250	40.5	2846	44.5	3128
Accurate 4350	Remington	CCI 200	45.0	2878	49.0	3264
Alliant Power Pro 2000-MR	Federal	Federal 210	40.5	3219	42.1	3334
Alliant Power Pro 4000-MR	Federal	Federal 210	46.4	3284	48.5 C	3411
Alliant Reloder 16	Federal	Federal 210	41.9	3221	43.9	3354
Alliant Reloder 19	Remington	CCI 200	46.5	3007	50.5 C	3269
Alliant Reloder 22	Remington	CCI 200	48.0	3048	52.0 C	3285
Alliant Reloder 23	Federal	Federal 210	45.0	3175	48.0 C	3368

Hodgdon H380	Remington	CCI 250	39.0	2777	43.0	3052
Hodgdon H414	Remington	CCI 250	40.0	2685	44.0	2921
Hodgdon H4350	Federal	Federal 210	44.0	3215	46.5	3377
Hodgdon H4831	Remington	CCI 250	47.0	2968	51.0 C	3226
IMR 4064	Remington	CCI 200	36.0	2704	40.0	2965
IMR 4350	Remington	CCI 200	41.0	2881	46.0	3138
IMR 4831	Remington	CCI 200	43.0	2838	47.0	3085
IMR 4895	Remington	CCI 200	35.0	2742	39.0	3000
Vihtavuori N140	Remington	CCI 200	35.5	2723	39.5	2960
Vihtavuori N550	Federal	Federal 210	42.0	3271	43.5	3372
Winchester 760	Remington	CCI 250	41.0	2859	46.0	3152

C = Compressed Load

speer-ammo.com