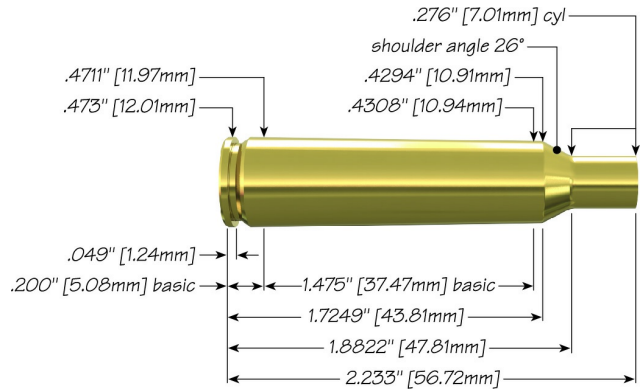



6mm Remington with 90 gr Spitzer SP Hot-Cor®



Max Case Length:	2.233"
Trim-to Length:	2.223"
Max Cart. OAL:	2.825"
RCBS Shell Holder:	# 3
Test Firearm:	Universal Receiver
Barrel Length:	24"



6mm	Speer Part No.	Weight, grains	COAL Tested	Ballistic Coefficient	Sectional Density
 90 gr Spitzer SP Hot-Cor®	1217	90	2.775"	.365	.218

Propellant	Cartridge Case	Primer	START CHARGE		MAXIMUM CHARGE	
			Grain	Velocity (ft/sec)	Grain	Velocity (ft/sec)
Accurate 2700	Remington	CCI 250	39.0	2706	43.0	2974
Accurate 3100	Remington	CCI 200	45.0	2870	49.0 C	3154
Accurate 4350	Remington	CCI 200	44.0	2852	48.0 C	3205
Alliant Power Pro 4000-MR	Federal	Federal 210	42.1	2952	46.8	3274
Alliant Reloder 16	Federal	Federal 210	40.7	2961	45.2 C	3281
Alliant Reloder 17	Federal	Federal 210	40.7	2924	45.2	3261
Alliant Reloder 19	Remington	CCI 200	46.0	2976	50.0	3256
Alliant Reloder 22	Remington	CCI 200	47.0	3063	51.0 C	3258
Alliant Reloder 23	Federal	Federal 210	42.9	2899	46.5 C	3146

Alliant Reloder 26	Federal	Federal 210	45.2	2961	49.9 C	3326
Hodgdon H414	Remington	CCI 250	40.0	2759	44.0	2999
Hodgdon H4350	Remington	Federal 200	43.0	2821	47.0	3170
IMR 4064	Remington	CCI 200	35.0	2685	39.0	2982
IMR 4198 (Reduced Load)	Remington	CCI 200	17.0	1770	19.0	1987
IMR 4350	Remington	CCI 200	42.0	2858	46.0	3107
IMR 4451	Federal	Federal 210	40.4	2888	44.9	3191
IMR 4831	Remington	CCI 200	43.0	2755	47.0	3026
IMR 4895	Remington	CCI 200	34.0	2711	38.0	2967
Vihtavuori N140	Remington	CCI 200	35.0	2675	39.0	2908
Winchester 760	Remington	CCI 250	41.0	2811	45.0	3055

C = Compressed Load

speer-ammo.com