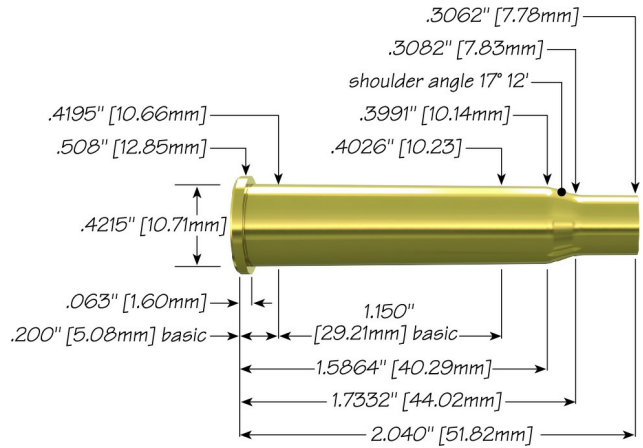




7-30 Waters with 130 gr Spitzer BTSP



Max Case Length:	2.040"
Trim-to Length:	2.030"
Max Cart. OAL:	2.550"
RCBS Shell Holder:	# 2
Test Firearm:	Universal Receiver
Barrel Length:	24"



7mm	Speer Part No.	Weight, grains	COAL Tested	Ballistic Coefficient	Sectional Density	
	130 gr Spitzer BTSP	1624	130	2.710"	.424	.230
	130 gr Spitzer SP Hot-Cor®	1623	130	2.550"	.368	.230

Propellant	Cartridge Case	Primer	START CHARGE		MAXIMUM CHARGE	
			Grain	Velocity (ft/sec)	Grain	Velocity (ft/sec)
Accurate 2015	Federal	CCI 200	26.0	2206	30.0	2480
Accurate 2230	Federal	CCI 250	26.0	2039	30.0	2396
Alliant AR-Comp	Federal	Federal 210	30.3	2362	33.7	2586
Alliant Power Pro 2000-MR	Federal	Federal 210	35.9	2450	39.9 C	2694
Alliant Power Pro Varmint	Federal	Federal 210	30.2	2359	33.5	2569
Alliant Reloder 15	Federal	CCI 200	31.5	2253	35.5	2609
Hodgdon BL-C(2)	Federal	CCI 250	32.0	2320	36.0	2510

Hodgdon H335	Federal	CCI 250	29.0	2030	33.0	2583
Hodgdon H4895	Federal	CCI 200	30.0	2241	34.0	2514
IMR 3031	Federal	CCI 200	29.0	2320	33.0	2509
IMR 4166	Federal	Federal 210	28.5	2184	31.7	2417
Vihtavuori N135	Federal	CCI 200	28.5	2148	32.5	2532
Winchester 748	Federal	CCI 250	31.0	2096	35.0	2487

C = Compressed Load

speer-ammo.com