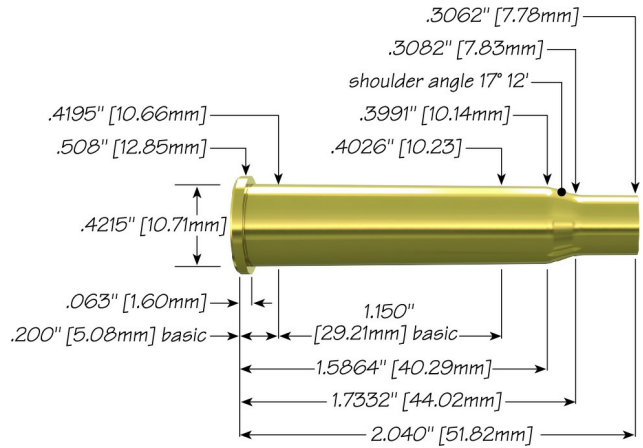





7-30 Waters with 145 gr Spitzer SP Hot-Cor®



Max Case Length:	2.040"
Trim-to Length:	2.030"
Max Cart. OAL:	2.550"
RCBS Shell Holder:	# 2
Test Firearm:	Universal Receiver
Barrel Length:	24"



7mm	Speer Part No.	Weight, grains	COAL Tested	Ballistic Coefficient	Sectional Density	
	145 gr Grand Slam® SP	1632	145	2.780"	.353	.257
	145 gr Spitzer BTSP	1628	145	2.710"	.472	.257
	145 gr Spitzer SP Hot-Cor®	1629	145	2.710"	.416	.257

Propellant	Cartridge Case	Primer	START CHARGE		MAXIMUM CHARGE	
			Grain	Velocity (ft/sec)	Grain	Velocity (ft/sec)
Accurate 2015	Federal	CCI 200	26.0	2086	30.0	2381
Accurate 2230	Federal	CCI 250	24.0	1793	28.0	2201
Alliant AR-Comp	Federal	Federal 210	28.9	2172	32.1	2408
Alliant Power Pro 2000-MR	Federal	Federal 210	33.2	2202	36.9	2503
Alliant Power Pro Varmint	Federal	Federal 210	29.8	2169	33.1	2434
Alliant Reloder 15	Federal	CCI 200	31.0	2228	35.0	2480

Hodgdon BL-C(2)	Federal	CCI250	31.0	2164	35.0	2395
Hodgdon H335	Federal	CCI250	28.0	2052	32.0	2360
Hodgdon H4895	Federal	CCI200	29.0	2103	33.0	2400
IMR 3031	Federal	CCI200	27.0	1979	31.0	2311
IMR 4166	Federal	Federal 210	27.6	2044	30.7	2280
IMR 4895	Federal	CCI200	30.0	2130	34.0	2449
Vihtavuori N135	Federal	CCI200	29.0	2130	33.0	2378
Winchester 748	Federal	CCI250	30.0	2088	34.0	2435

speer-ammo.com