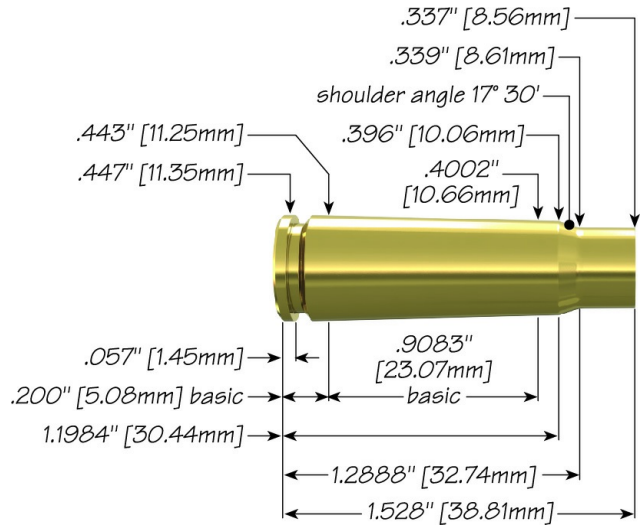



7.62x39mm with 123 gr Gold-Dot®



Max Case Length:	1.528"
Trim-to Length:	1.518"
Max Cart. OAL:	2.200"
RCBS Shell Holder:	# 32
Test Firearm:	Universal Receiver
Barrel Length:	20"



30	Speer Part No.	Weight, grains	COAL Tested	Ballistic Coefficient	Sectional Density
	123 gr Gold-Dot®	310123GDB 123	2.150	.321	.183

Propellant	Cartridge Case	Primer	START CHARGE		MAXIMUM CHARGE	
			Grain	Velocity (ft/sec)	Grain	Velocity (ft/sec)
Accurate 1680	Federal	Federal 210	25.4	2224	28.2	2455
Accurate 2015	Federal	Federal 210	27.6	2172	30.7 C	2382
Accurate 2200	Federal	Federal 210	29.6	2371	32.9 C	2585
Accurate LT-32	Federal	Federal 210	27.8	2238	30.9 C	2455
Alliant Power Pro 1200-R	Federal	Federal 210	28.1	2297	31.2 C	2482
Alliant Reloder 10X	Federal	Federal 210	27.3	2257	30.0 C	2432
Alliant Reloder 7	Federal	Federal 210	25.8	2248	28.4 C	2428
Hodgdon Benchmark	Federal	Federal 210	28.7	2156	31.9 C	2363
Hodgdon H335	Federal	Federal 210	31.0	2228	34.4 C	2451

IMR 4198	Federal	Federal 210	23.6	2197	26.2 C	2400
Vihtavuori N120	Federal	Federal 210	22.9	2225	25.3	2396

speer-ammo.com