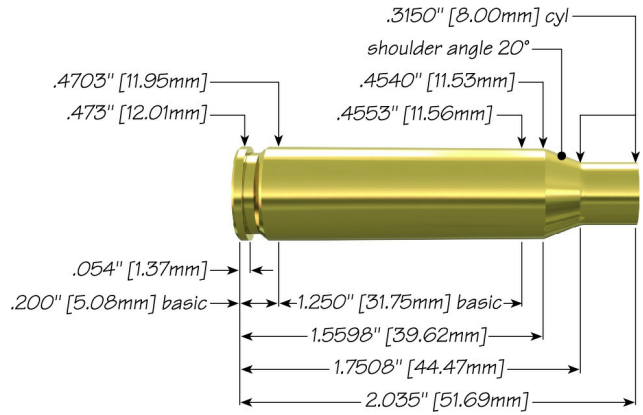



7mm-08 Remington with 110 gr TNT® HP



Max Case Length:	2.035"
Trim-to Length:	2.025"
Max Cart. OAL:	2.800"
RCBS Shell Holder:	# 3
Test Firearm:	Universal Receiver
Barrel Length:	24"



7mm	Speer Part No.	Weight, grains	COAL Tested	Ballistic Coefficient	Sectional Density	
	110 gr TNT® HP	1616	110	2.760"	.384	.195

Propellant	Cartridge Case	Primer	START CHARGE		MAXIMUM CHARGE	
			Grain	Velocity (ft/sec)	Grain	Velocity (ft/sec)
Accurate 2460	Remington	CCI 250	39.0	2690	43.0	2908
Alliant AR-Comp	Federal	Federal 210	39.9	2944	44.3	3208
Alliant Power Pro 2000-MR	Federal	Federal 210	43.9	2931	48.8	3234
Alliant Reloder 15	Remington	CCI 200	44.0	2930	48.0	3238
Hodgdon H335	Remington	CCI 250	39.0	2659	43.0	2906
Hodgdon H380	Remington	CCI 250	49.0	2857	53.0 C	3174
Hodgdon H414	Remington	CCI 250	48.0	2858	52.0 C	3176
Hodgdon H4350	Remington	CCI 200	47.0	2779	51.0 C	3044
Hodgdon Varget	Remington	CCI 200	43.0	2891	47.0	3194

IMR 3031	Remington	CCI 200	42.0	3023	46.0 C	3250
IMR 4064	Remington	CCI 200	42.0	2890	46.0	3141
IMR 4320	Remington	CCI 200	41.0	2735	45.0	2973
IMR 4350	Remington	CCI 200	47.0	2777	51.0 C	3035
IMR 4895	Remington	CCI 200	40.0	2851	44.0	3066
Vihtavuori N140	Remington	CCI 200	42.0	2855	46.0	3137
Winchester 760	Remington	CCI 250	47.0	2917	51.0 C	3206

C = Compressed Load

speer-ammo.com