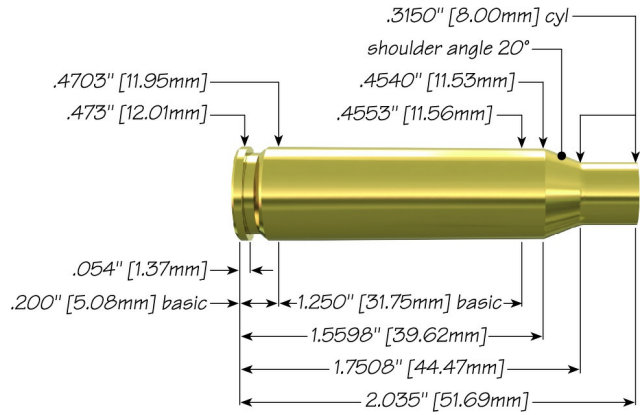




7mm-08 Remington with 130 gr Spitzer BTSP



Max Case Length:	2.035"
Trim-to Length:	2.025"
Max Cart. OAL:	2.800"
RCBS Shell Holder:	# 3
Test Firearm:	Universal Receiver
Barrel Length:	24"



7mm	Speer Part No.	Weight, grains	COAL Tested	Ballistic Coefficient	Sectional Density
 130 gr Spitzer BTSP	1624	130	2.730"	.424	.230
 130 gr Spitzer SP Hot-Cor®	1623	130	2.730"	.368	.230

Propellant	Cartridge Case	Primer	START CHARGE		MAXIMUM CHARGE	
			Grain	Velocity (ft/sec)	Grain	Velocity (ft/sec)
Accurate 2520	Remington	CCI 250	34.0	2409	38.0	2662
Accurate 4350	Federal	Federal 210	44.3	2644	49.1 C	2904
Alliant AR-Comp	Federal	Federal 210	35.8	2697	38.8	2856
Alliant Power Pro 2000-MR	Federal	Federal 210	39.2	2678	43.5	2923
Alliant Power Pro Varmint	Federal	Federal 210	36.5	2653	40.5	2887
Alliant Reloder 15	Remington	CCI 200	38.0	2577	42.0	2786
Alliant Reloder 16	Federal	Federal 210	42.6	2711	47.3 C	2985

Alliant Reloder 17	Federal	Federal 210	41.7	2644	45.9	2882
Hodgdon CFE 223	Federal	Federal 210	37.0	2602	41.1	2868
Hodgdon H335	Remington	CCI250	37.0	2607	41.0	2788
Hodgdon H380	Remington	CCI250	44.0	2652	48.0	2898
Hodgdon H414	Remington	CCI250	45.0	2673	49.0	2954
Hodgdon H4350	Remington	CCI200	46.0	2715	50.0 C	2984
Hodgdon Varget	Remington	CCI200	39.0	2641	43.0	2888
IMR 3031	Remington	CCI200	38.0	2684	42.0	2886
IMR 4064	Remington	CCI200	41.0	2835	45.0	3065
IMR 4350	Remington	CCI200	46.0	2766	50.0	3006
IMR 4831	Remington	CCI200	46.0	2678	50.0 C	2880
Ramshot Big Game	Federal	Federal 210	42.1	2764	45.9	2947
Vihtavuori N140	Remington	CCI200	38.0	2531	42.0	2812
Winchester 760	Remington	CCI250	45.0	2727	49.0	2980

C = Compressed Load