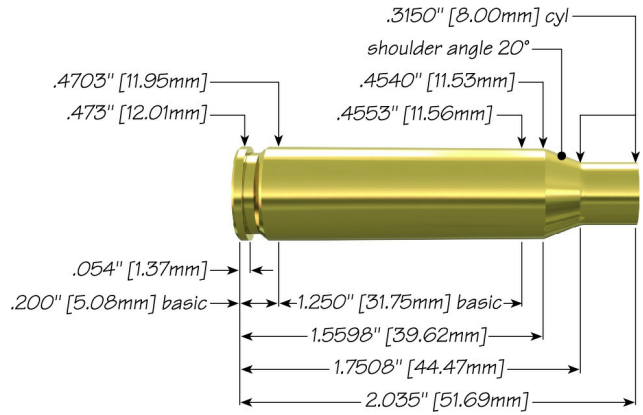





7mm-08 Remington with 145 gr Spitzer BTSP



Max Case Length:	2.035"
Trim-to Length:	2.025"
Max Cart. OAL:	2.800"
RCBS Shell Holder:	# 3
Test Firearm:	Universal Receiver
Barrel Length:	24"



7mm	Speer Part No.	Weight, grains	COAL Tested	Ballistic Coefficient	Sectional Density	
	145 gr Grand Slam® SP	1632	145	2.775"	.353	.257
	145 gr Spitzer BTSP	1628	145	2.730"	.472	.257
	145 gr Spitzer SP Hot-Cor®	1629	145	2.730"	.416	.257

Propellant	Cartridge Case	Primer	START CHARGE		MAXIMUM CHARGE	
			Grain	Velocity (ft/sec)	Grain	Velocity (ft/sec)
Accurate 2520	Remington	CCI 250	38.0	2519	42.0	2772
Accurate 3100	Remington	CCI 200	45.0	2480	49.0 C	2725
Accurate 4350	Remington	CCI 200	44.0	2644	48.0 C	2843
Alliant Power Pro 2000-MR	Federal	Federal 210	37.4	2518	41.6	2769
Alliant Power Pro 4000-MR	Federal	Federal 210	43.1	2631	47.4 C	2828
Alliant Reloder 15	Remington	CCI 200	37.0	2458	41.0	2705

Alliant Reloder 16	Federal	Federal 210	41.2	2609	45.8 C	2867
Alliant Reloder 17	Federal	Federal 210	40.4	2522	44.9	2787
Alliant Reloder 19	Remington	CCI 200	47.0	2692	51.0 C	2933
Hodgdon H380	Remington	CCI 250	42.0	2520	46.0	2739
Hodgdon H414	Remington	CCI 250	43.0	2560	47.0	2814
Hodgdon H4350	Remington	CCI 200	44.0	2707	48.0 C	2911
Hodgdon Varget	Remington	CCI 200	37.0	2473	41.0	2707
IMR 4350	Remington	CCI 200	44.0	2644	48.0	2841
IMR 4895	Remington	CCI 200	37.0	2507	41.0	2724
Ramshot Big Game	Federal	Federal 210	39.8	2570	44.2	2802
Vihtavouri N165	Remington	CCI 200	47.0	2553	51.0 C	2781
Vihtavuori N550	Federal	Federal 210	38.5	2495	42.8	2779
Winchester 760	Remington	CCI 250	45.0	2628	49.0	2920

C = Compressed Load