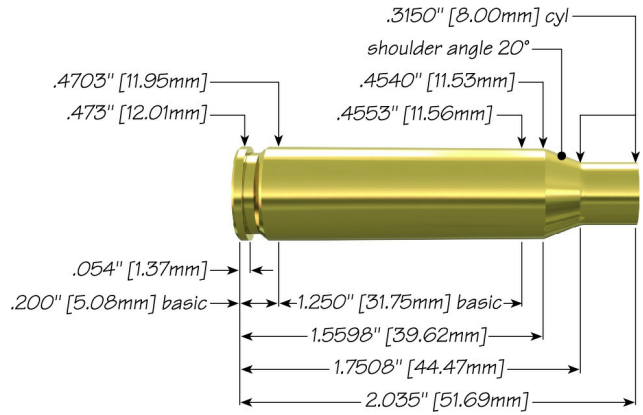





7mm-08 Remington with 160 gr Spitzer BTSP



Max Case Length:	2.035"
Trim-to Length:	2.025"
Max Cart. OAL:	2.800"
RCBS Shell Holder:	# 3
Test Firearm:	Universal Receiver
Barrel Length:	24"



7mm	Speer Part No.	Weight, grains	COAL Tested	Ballistic Coefficient	Sectional Density	
	160 gr Grand Slam® SP	1638	160	2.760"	.389	.283
	160 gr Spitzer BTSP	1634	160	2.800"	.519	.283
	160 gr Spitzer SP Hot-Cor®	1635	160	2.800"	.504	.283

Propellant	Cartridge Case	Primer	START CHARGE		MAXIMUM CHARGE	
			Grain	Velocity (ft/sec)	Grain	Velocity (ft/sec)
Accurate 2520	Remington	CCI 250	36.0	2425	40.0	2659
Accurate 4350	Remington	CCI 200	42.0	2484	46.0 C	2671
Alliant Power Pro 2000-MR	Federal	Federal 210	37.8	2406	42.0	2646
Alliant Power Pro 4000-MR	Federal	Federal 210	42.3	2457	47.0 C	2706
Alliant Reloder 15	Remington	CCI 200	34.0	2343	38.0	2506
Alliant Reloder 16	Federal	Federal 210	40.8 C	2462	45.0 C	2670

Alliant Reloder 17	Federal	Federal 210	40.0	2400	44.4 C	2682
Alliant Reloder 19	Remington	CCI200	43.0	2456	47.0 C	2710
Hodgdon H380	Remington	CCI250	38.0	2281	42.0	2502
Hodgdon H414	Remington	CCI250	41.0	2474	45.0 C	2704
Hodgdon H4350	Remington	CCI200	41.0	2423	45.0 C	2611
Hodgdon H4831SC	Remington	CCI200	46.0	2512	48.0 C	2598
IMR 4350	Remington	CCI200	41.0	2463	45.0 C	2666
IMR 4831	Remington	CCI200	42.0	2406	46.0 C	2615
Ramshot Big Game	Federal	Federal 210	38.4	2403	42.7	2631
Vihtavouri N165	Remington	CCI200	45.0	2415	49.0 C	2654
Winchester 748	Remington	CCI250	35.0	2315	39.0	2503
Winchester 760	Remington	CCI250	41.0	2475	45.0 C	2735

C = Compressed Load

speer-ammo.com