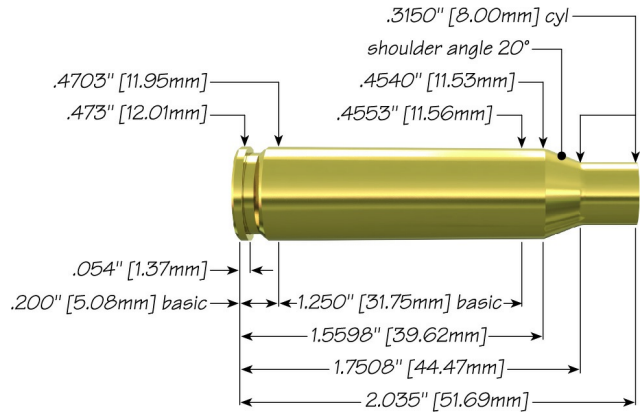



7mm-08 Remington with 175 gr Grand Slam® SP



Max Case Length: 2.035"
Trim-to Length: 2.025"
Max Cart. OAL: 2.800"
RCBS Shell Holder: # 3
Test Firearm: Universal Receiver
Barrel Length: 24"



7mm	Speer Part No.	Weight, grains	COAL Tested	Ballistic Coefficient	Sectional Density
 175 gr Grand Slam® SP	1643	175	2.745"	.436	.310

Propellant	Cartridge Case	Primer	START CHARGE		MAXIMUM CHARGE	
			Grain	Velocity (ft/sec)	Grain	Velocity (ft/sec)
Accurate 2520	Remington	CCI 250	35.0	2314	39.0	2502
Accurate 3100	Remington	CCI 200	43.0	2336	47.0 C	2536
Alliant Power Pro 2000-MR	Federal	Federal 210	38.2	2292	42.4	2558
Alliant Power Pro 4000-MR	Federal	Federal 210	42.4 C	2407	46.2 C	2591
Alliant Reloder 15	Remington	CCI 200	32.0	2153	36.0	2312
Alliant Reloder 16	Federal	Federal 210	40.3 C	2337	44.8 C	2576
Alliant Reloder 17	Federal	Federal 210	39.8	2284	44.2 C	2566
Alliant Reloder 19	Remington	CCI 200	43.0	2396	47.0 C	2628
Hodgdon H380	Remington	CCI 250	38.0	2203	42.0	2408

Hodgdon H414	Remington	CCI250	38.0	2208	42.0	2419
Hodgdon H4350	Remington	CCI200	40.0	2326	44.0 C	2507
Hodgdon H4831SC	Remington	CCI200	43.5	2355	45.5 C	2461
IMR 4350	Remington	CCI200	40.0	2365	44.0	2542
IMR 4831	Remington	CCI200	41.0	2240	45.0	2465
Ramshot Big Game	Federal	Federal 210	39.4	2366	43.6	2558
Vihtavouri N165	Remington	CCI200	43.0	2330	47.0 C	2575
Winchester 760	Remington	CCI250	41.0	2264	45.0	2461

C = Compressed Load

speer-ammo.com