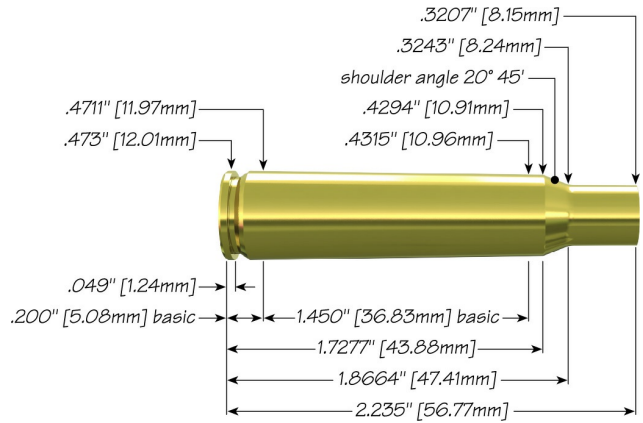





7mm Mauser (7x57mm) with 145 gr Spitzer SP Hot- Cor®



Max Case Length:	2.235"
Trim-to Length:	2.225"
Max Cart. OAL:	3.065"
RCBS Shell Holder:	# 3
Test Firearm:	Universal Receiver
Barrel Length:	24"



7mm	Speer Part No.	Weight, grains	COAL Tested	Ballistic Coefficient	Sectional Density	
	145 Grand Slam® SP	1632	145	2.970"	.353	.257
	145 gr Spitzer BTSP	1628	145	2.800"	.472	.257
	145 gr Spitzer SP Hot-Cor®	1629	145	2.800"	.416	.257

Propellant	Cartridge Case	Primer	START CHARGE		MAXIMUM CHARGE	
			Grain	Velocity (ft/sec)	Grain	Velocity (ft/sec)
Accurate 4350	Remington	CCI 200	47.0	2506	51.0 C	2792
Alliant Power Pro 2000-MR	Federal	Federal 210	39.9	2481	44.3	2728
Alliant Power Pro 4000-MR	Federal	Federal 210	45.1	2556	50.1 C	2802
Alliant Reloder 15	Remington	CCI 200	38.0	2345	42.0	2627
Alliant Reloder 16	Federal	Federal 210	42.6	2566	47.3 C	2798

Alliant Reloder 17	Federal	Federal 210	41.5	2517	46.1 C	2761
Alliant Reloder 19	Remington	CCI200	48.0	2571	52.0 C	2831
Alliant Reloder 22	Remington	CCI200	47.0	2466	51.0 C	2716
Hodgdon H414	Remington	CCI200	44.0	2527	48.0 C	2783
Hodgdon H4350	Remington	CCI200	46.0	2547	50.0 C	2820
IMR 4064	Remington	CCI200	39.0	2421	43.0	2711
IMR 4350	Remington	CCI200	45.0	2494	49.0 C	2761
IMR 4451	Federal	Federal 210	41.6	2435	46.2 C	2656
IMR 4831	Remington	CCI200	47.0	2538	51.0 C	2780
IMR 4895	Remington	CCI200	36.0	2357	40.0	2593
IMR SR 4759 (Reduced Load)	Remington	CCI200	18.0	1514	22.0	1847
Vihtavuori N160	Remington	CCI200	44.0	2449	48.0 C	2697
Winchester 760	Remington	CCI200	44.0	2507	48.0 C	2778

C = Compressed Load

speer-ammo.com