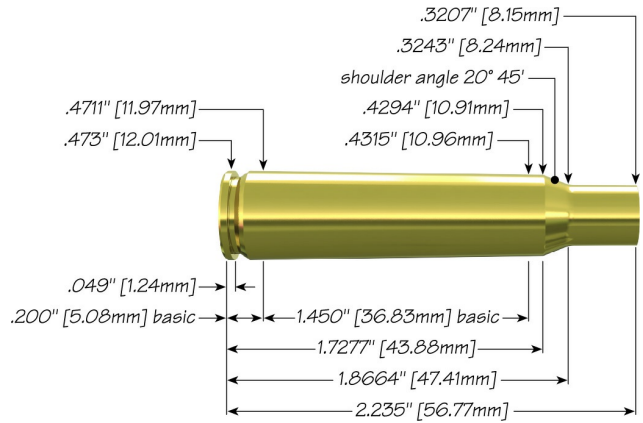





# 7mm Mauser (7x57mm) with 160 gr Spitzer BTSP



<b>Max Case Length:</b>	2.235"
<b>Trim-to Length:</b>	2.225"
<b>Max Cart. OAL:</b>	3.065"
<b>RCBS Shell Holder:</b>	# 3
<b>Test Firearm:</b>	Universal Receiver
<b>Barrel Length:</b>	24"



7mm	Speer Part No.	Weight, grains	COAL Tested	Ballistic Coefficient	Sectional Density	
	<b>160 gr Grand Slam® SP</b>	1638	160	2.960"	.389	.283
	<b>160 gr Spitzer BTSP</b>	1634	160	3.000"	.519	.283
	<b>160 gr Spitzer SP Hot-Cor®</b>	1635	160	3.000"	.504	.283

Propellant	Cartridge Case	Primer	START CHARGE		MAXIMUM CHARGE	
			Grain	Velocity (ft/sec)	Grain	Velocity (ft/sec)
Accurate 3100	Remington	CCI 200	42.0	2160	<b>47.0 C</b>	2420
Accurate 4350	Remington	CCI 200	43.0	2273	<b>47.0 C</b>	2547
Alliant Power Pro 4000MR	Federal	Federal 210	42.7	2436	<b>47.4</b>	2669
Alliant Reloder 16	Federal	Federal 210	40.3	2439	<b>44.8 C</b>	2654
Alliant Reloder 17	Federal	Federal 210	39.5	2413	<b>43.9</b>	2641
Alliant Reloder 19	Remington	CCI 200	45.0	2331	<b>49.0 C</b>	2598

Alliant Reloder 22	Remington	CCI 200	45.0	2254	<b>49.0 C</b>	2541
Hodgdon H414	Remington	CCI 250	42.0	2384	<b>46.0</b>	2611
Hodgdon H4350	Remington	CCI 200	42.0	2270	<b>46.0 C</b>	2528
IMR 4064	Remington	CCI 200	38.0	2281	<b>42.0</b>	2602
IMR 4198 (Reduced Load)	Remington	CCI 200	21.0	1651	<b>25.0</b>	1950
IMR 4320	Remington	CCI 200	36.0	2156	<b>40.0</b>	2443
IMR 4350	Remington	CCI 200	42.0	2280	<b>46.0 C</b>	2542
IMR 4451	Federal	Federal 210	39.5	2312	<b>43.9</b>	2534
IMR 4831	Remington	CCI 200	44.0	2300	<b>48.0 C</b>	2576
IMR 4895	Remington	CCI 200	35.0	2212	<b>39.0</b>	2492
Winchester 760	Remington	CCI 250	42.0	2393	<b>46.0</b>	2635

C = Compressed Load

[speer-ammo.com](http://speer-ammo.com)