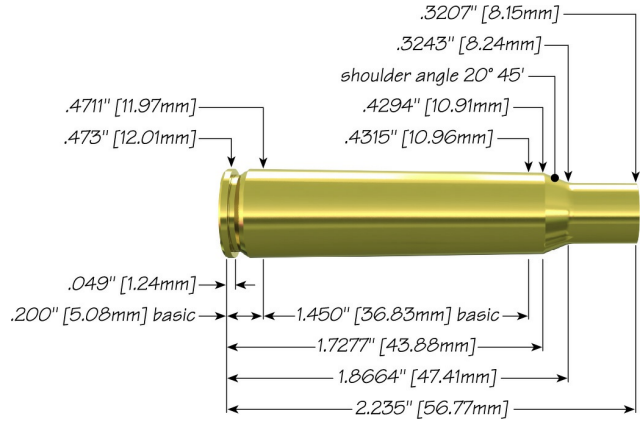



# 7mm Mauser (7x57mm) with 175 gr Grand Slam® SP



<b>Max Case Length:</b>	2.235"
<b>Trim-to Length:</b>	2.225"
<b>Max Cart. OAL:</b>	3.065"
<b>RCBS Shell Holder:</b>	# 3
<b>Test Firearm:</b>	Universal Receiver
<b>Barrel Length:</b>	24"



7mm	Speer Part No.	Weight, grains	COAL Tested	Ballistic Coefficient	Sectional Density	
	<b>175 gr Grand Slam® SP</b>	1643	175	2.960"	.436	.310

Propellant	Cartridge Case	Primer	START CHARGE		MAXIMUM CHARGE	
			Grain	Velocity (ft/sec)	Grain	Velocity (ft/sec)
Accurate 3100	Remington	CCI200	44.0	2211	<b>48.0 C</b>	2422
Accurate 4350	Remington	CCI200	41.0	2152	<b>45.0 C</b>	2360
Alliant Power Pro 4000-MR	Federal	Federal 210	41.8	2328	<b>46.4 C</b>	2564
Alliant Reloder 15	Remington	CCI200	34.0	2053	<b>38.0</b>	2301
Alliant Reloder 16	Federal	Federal 210	39.8	2300	<b>44.2 C</b>	2527
Alliant Reloder 17	Federal	Federal 210	39.3	2313	<b>43.7</b>	2545
Alliant Reloder 19	Remington	CCI200	44.0	2283	<b>48.0 C</b>	2529
Alliant Reloder 22	Remington	CCI200	47.0	2383	<b>51.0 C</b>	2625
Alliant Reloder 23	Federal	Federal 210	42.2 C	2281	<b>46.9 C</b>	2512

Alliant Reloder 26	Federal	Federal 210	45.5 C	2398	<b>50.5 C</b>	2633
Hodgdon H414	Remington	CCI250	40.0	2178	<b>44.0</b>	2426
Hodgdon H4350	Remington	CCI200	41.0	2204	<b>45.0</b>	2441
IMR 4064	Remington	CCI200	36.0	2142	<b>40.0</b>	2400
IMR 4198 (Reduced Load)	Remington	CCI200	22.0	1633	<b>26.0</b>	1923
IMR 4350	Remington	CCI200	41.0	2231	<b>45.0</b>	2457
IMR 4831	Remington	CCI200	43.0	2228	<b>47.0</b>	2467
IMR 7828	Remington	CCI250	46.0	2284	<b>50.0 C</b>	2545
IMR 7977	Federal	Federal 210	43.0 C	2121	<b>47.8 C</b>	2336
Winchester 760	Remington	CCI250	40.0	2251	<b>44.0</b>	2466

C = Compressed Load

[speer-ammo.com](http://speer-ammo.com)