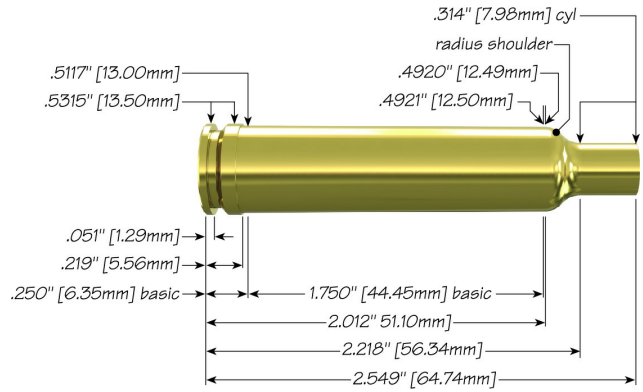



# 7mm Weatherby Magnum with 175 gr Grand Slam® SP



<b>Max Case Length:</b>	2.549"
<b>Trim-to Length:</b>	2.539"
<b>Max Cart. OAL:</b>	3.360"
<b>RCBS Shell Holder:</b>	# 4
<b>Test Firearm:</b>	Universal Receiver
<b>Barrel Length:</b>	24"



7mm	Speer Part No.	Weight, grains	COAL Tested	Ballistic Coefficient	Sectional Density
 <b>175 gr Grand Slam® SP</b>	1643	175	3.250	.436	.310

Propellant	Cartridge Case	Primer	START CHARGE		MAXIMUM CHARGE	
			Grain	Velocity (ft/sec)	Grain	Velocity (ft/sec)
Alliant Reloder 23	Federal	Federal 215	59.7	2596	<b>66.3</b>	2873
Alliant Reloder 26	Federal	Federal 215	61.2	2589	<b>68.4</b>	2929
Alliant Reloder 33	Federal	Federal 215	73.4 C	2628	<b>81.6 C</b>	3015
Hodgdon H1000	Federal	Federal 215	63.6	2623	<b>70.7</b>	2873
Hodgdon Retumbo	Federal	Federal 215	66.1	2631	<b>73.4 C</b>	2913
IMR 7977	Federal	Federal 215	64.1	2600	<b>71.2 C</b>	2850