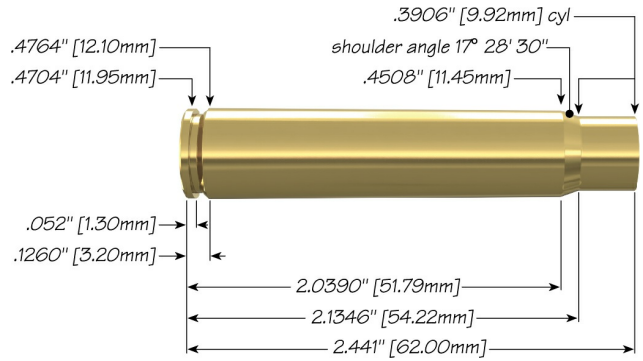



9.3x62mm with 270 gr Semi-Spitzer SP Hot-Cor®



Max Case Length:	2.441"
Trim-to Length:	2.431"
Max Cart. OAL:	3.291"
RCBS Shell Holder:	# 3
Test Firearm:	Universal Receiver
Barrel Length:	24"



9.3mm	Speer Part No.	Weight, grains	COAL Tested	Ballistic Coefficient	Sectional Density
 270 gr Semi-Spitzer SP Hot-Cor®	2459	270	3.280	.361	.288

Propellant	Cartridge Case	Primer	START CHARGE		MAXIMUM CHARGE	
			Grain	Velocity (ft/sec)	Grain	Velocity (ft/sec)
Alliant Power Pro 2000-MR	Federal	Federal 210	56.0	2333	59.3	2439
Alliant Reloder 15	Federal	Federal 210	51.3	2236	57.0	2434
Alliant Reloder 16	Federal	Federal 210	57.5	2315	63.9 C	2523
Alliant Reloder 17	Federal	Federal 210	55.3	2241	61.4	2477
Hodgdon H380	Federal	Federal 210	54.1	2206	60.1	2425
Hodgdon H414	Federal	Federal 210	56.3	2257	62.5	2476
IMR 4350	Federal	Federal 210	55.5	2237	61.7 C	2459
IMR 4451	Federal	Federal 210	55.6	2168	61.8	2378
IMR 4831	Federal	Federal 210	58.6	2241	64.7 C	2457

IMR 4895	Federal	Federal 210	46.7	2177	51.9	2333
Winchester 748	Federal	Federal 210	53.6	2266	58.0	2419
Winchester 760	Federal	Federal 210	55.6	2222	61.8	2454

speer-ammo.com